



Caframo Real Torque Digital[™]

Power and Control

Caframo Real Torque Digital™

Power and Control

A line of stirrers with accurate control for precision research and power for high volume / high viscosity lab or pilot plant applications.

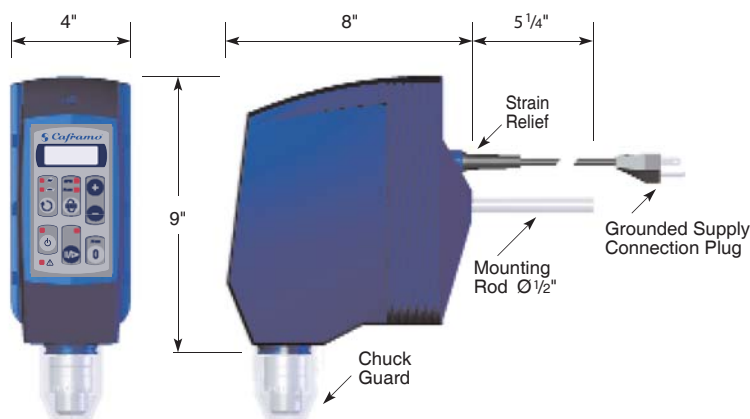
Caframo's reliable and powerful stirrers also incorporate safety. Each stirrer comes with a clear chemical resistant hinged chuck guard that conveniently snaps onto the stirrer.

The heart of the BDC line is the microprocessor controlled, high performance Brushless Direct Current (BDC) motor. A unique Two Speed Transmission transfers the motor's power to the chuck with 95% efficiency, providing incredible amounts of power.

Three models to choose from:

Model	Ultra Torque BDC 1850 12-1800 rpm (max-50 in-lbs of torque)	Universal BDC 3030 20-3000 RPM (max-30 in-lbs of torque)	Ultra Speed BDC 6015 40-6000 RPM (max-15 in-lbs of torque)
Lower Speed Range	12 to 360 RPM	20 to 600 RPM	40 to 1200 RPM
Maximum Torque	50 in-lbs=800 in-oz=565 N-cm	30 in-lbs=480 in-oz=339 N-cm	15 in-lbs=240 in-oz=170 N-cm
High Speed Range	360 to 1800 RPM 10 in-lbs=160 in-oz=113 N-cm	600 to 3000 RPM 6 in-lbs=96 in-oz=68 N-cm	1200 to 6000 RPM 3 in-lbs=48 in-oz=34 N-cm

*Built to
endure
in any lab!*



Specifications

Modelo	BDC
Display Accuracy	+/- 1 rpm or
Speed	+/- 1% of reading
Torque	+/- 1 in-lb or +/- 5% of reading
Electrical Input	120 volts, 50/60 Hz, 5 amps
Output Power	1/5 hp, 150 watts
Weight	11 lbs (5 kg)

Calibration certificate, chuck, chuck guard, chuck key, support rod and power cord included.

Clamp, stand and impellers are available.

Europe: CE Marked, 230 volt, 50/60 Hz, 3 amp stirrers available.

**Powerful Reliable
100% Maintenance Free**

Features

Brushless DC Motor

- Automatic overload protection
- High efficiency; Less heat
- Microprocessor controlled

Chuck Guard

- Safely encloses spinning chuck to protect user
- Protects chuck from splashes

Electronic Control

- Digital display of RPM & torque
- User friendly keypad allows precise speed adjustment
- Maintains set speed as solution viscosity changes

2-Speed Transmission

- Smart automatic transmission selects high-torque or high-speed range
- Maintenance free
- Quiet, Dependable

Unbeatable Quality, Value & Durability

- Totally enclosed non-ventilated rugged metal housing
- Stainless steel chuck is adjustable up to 3/8" (10mm)
- Hollow through shaft for easy impeller adjustment
- Ideal for continuous use
- Warranty – 3 years

 **Caframo®**

Toll Free: (800) 567-3556
Telephone: (519) 534-1080
Fax: (519) 534-1088

RR2, Wiarton, Ontario, Canada, N0H 2T0